

Indissima Modular Soap

Soap Module to be fitted with Modular Bar A8883.

Stainless Steel - A8812M NS
Matte Black - A8812M NE
Matte White - A8812M WM

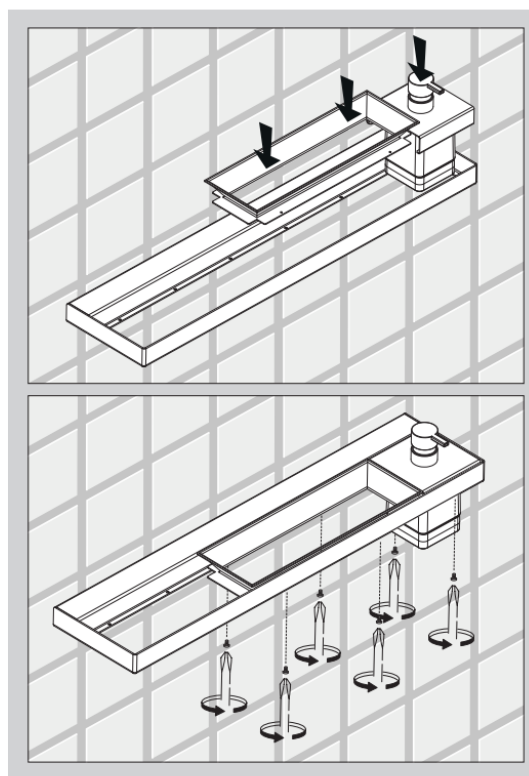
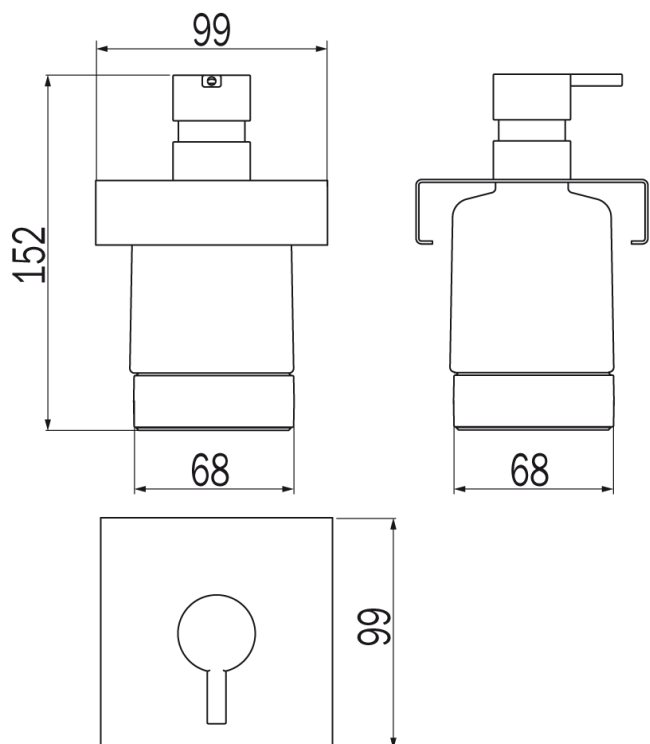
Colours Available

Stainless Steel - NS
Matte Black - NE
Matte White - WM

Designed by Matte Thun

Manufactured in Italy

2 Year Replacement Warranty



Proudly imported and distributed by
Gro Agencies Pty Ltd
Unit 2 / 37 Howe St, Osborne Park, WA, 6017
P 08 9446 3288 E info@groagencies.com.au W www.groagencies.com.au

